



EXPERIENCE THE DIFFERENCE
YOUR SECURITY & SAFETY PRODUCTS

TANK CARRIERS

SPECIAL TRANSPORT TRAILERS FOR DEFENSE




LEARN MORE:

<http://c4icommunication.com>



1. LOW BED SEMITRAILER NECK
DEMOUNTABLE, 04 AXLES, 70 TON.

2. ASTRA SM 66.44 (6x6)
IVECO M 250.45 WM



1. LOW BED SEMITRAILER NECK DEMOUNTABLE, 04 AXLES, 70 TON.



DIMENSIONS

Total length	19.100 mm
Useful length of the platform	8.000 mm
Total width	3.700 mm
Technical load capacity	70 ton
Estimated tare	As per project

LOAD PLATFORM

Type	Standard-floor
Floor	Wooden floor of 50mm
Rear ramp	No
Tire coverage	Included
Tiering rings	Included
Reamers	100+100mm
Hose protection	Yes

SUSPENSION

Model	Balancim – mechanic reinforced
Capacity	4 axles – 52t

AXLES

Capacity	13 T
Wheels	4 axles – 17 units wheels 8,25X22,5"
Tires	4 axles – 17 units tires 295/80x22.5" Bridgestone R268

BRAKES

Brand	Wabco
Model	"Q Plus"
Shoe/lining type	16 ½" x 8"
Slack adjuster	Mechanic
Service brake chamber	30"
Safety parking system	With Spring Brake
ABS	Yes
Brand	Jost
Tractor	6x2 – 6x4
King pin	3.1/2"

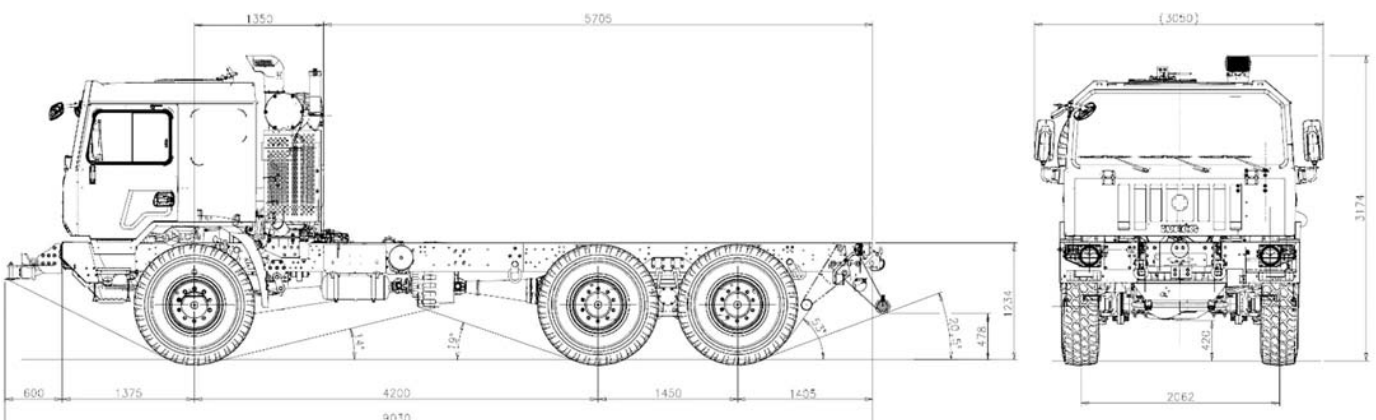


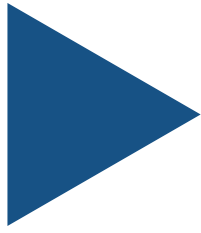
2. IVECO M 250.45 WM ASTRA SM 66.44 (6x6)



HIGH MOBILITY 6x6 WITH UNPROTECTED CABIN

Wheelbase	4200 + 1450 mm
Rear overhang	1405 mm
Kerb weight	11,0 ton
Rated GVW	26,0 ton
Top speed	90 km/h
Engine output	324 (440) Euro 0 kW (HP)
Gearbox	ZF 16S 2220 TO Manual + PTO
Transfer box	Iveco TC 1800
Service brakes	Disc front and rear with ABS/EBL
Tyres	14.00 R20 front and rear, single
Electrical system	24 V / 220 Ah batteries / 90 A alternator
Seats	1+1
Cabin type	Unprotected
Fuel tank	400 L
Fording depth	800 mm
Equipment	Central Type Inflating System (CTIS) Tyres safety systems (Beadlocks) Black-out lights front and rear Provision for front winch installation Rear towing hook Orlandi UN966 Front and rear shackles (eyes)





LEARN MORE: c4icommunication.com

FOR MORE INFORMATION: contact@c4icommunication.com or +1 (302)9811340